

Bull's Eye Spirit Levels

Housing Aluminum, with Mounting Flange for Mounting with Screws

SPECIFICATION

Sensitivity

Type 30: Angle minutes, bubble move by 2mm

Types

- Type **A**: Mounting flange for bolting surface
- Type **B**: Mounting flange for inserting (collar)

Housing

Aluminum

- Anodized, natural color **ALN**
- Anodized, black **ALS**

Spirit level element

Glass plastic body

Filling

Colorless-transparent **K**

Casting compound

Mineral-based



INFORMATION

Bull's eye levels GN 2277 are used to check the horizontal position of jigs, machines, devices, appliances and instruments.

The spirit levels are aligned in relation to the reference surface so that the bubble is located inside the marking ring when the horizontal position of the contact surface is achieved.

ACCESSORY

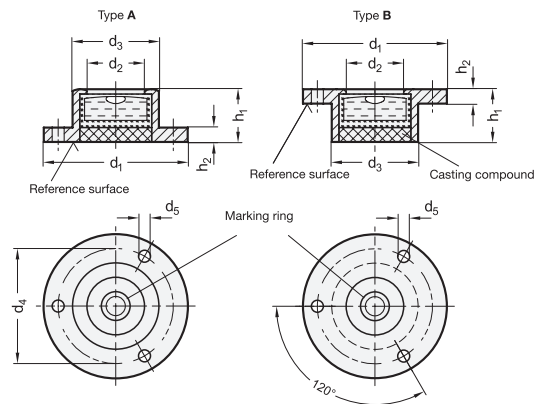
Adjustment Plates GN 2277.1 (see page 679)

ON REQUEST

- Filling, green-transparent
- Other sensitivities
- Housing in brass or stainless steel

TECHNICAL INFORMATION

- Application example (see page)
- General Information on Bull's Eye, Screw-On and Cross Spirit Levels (see page 678)



* Complete with

ALN **ALS**
Anodized, natural color Anodized, black

GN 2279-A

Description	d ₁	d ₂	d ₃	d ₄	d ₅	h ₁	h ₂	⚖
GN 2277.*-20-K-30-A	20	10	14	17	1.8	10	1.8	3
GN 2277.*-25-K-30-A	25	12	17	21	2.2	10	2	5
GN 2277.*-30-K-30-A	30	12	18	24	3.2	11	3	7
GN 2277.*-40-K-30-A	40	20	28	34.5	3.2	14	4	14
GN 2277.*-50-K-30-A	50	25	34	43	3.2	15	5	25

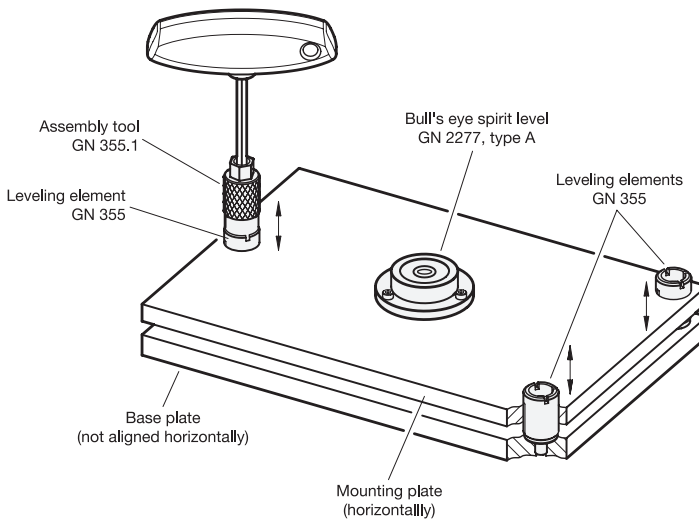
GN 2279-B

Description	d ₁	d ₂	d ₃	d ₄	d ₅	h ₁	h ₂	⚖
GN 2277.*-20-K-30-B	20	10	14	17	1.8	10	1.8	3
GN 2277.*-25-K-30-B	25	12	17	21	2.2	10	2	5
GN 2277.*-30-K-30-B	30	12	18	24	3.2	11	3	7
GN 2277.*-40-K-30-B	40	20	28	34.5	3.2	14	4	14
GN 2277.*-50-K-30-B	50	25	34	43	3.2	15	5	25

Weight ALN



Application examples



Bull's eye spirit levels GN 2277 and levelling elements - in this example, Leveling Elements GN 355 and Assembly Tools GN 355.1 - are ideal to use when a holding plate is to be brought into an exact horizontal position. Even after the initial adjustment, the bull's eye spirit level remains in the unit so that the correct alignment can be checked and adjusted again.